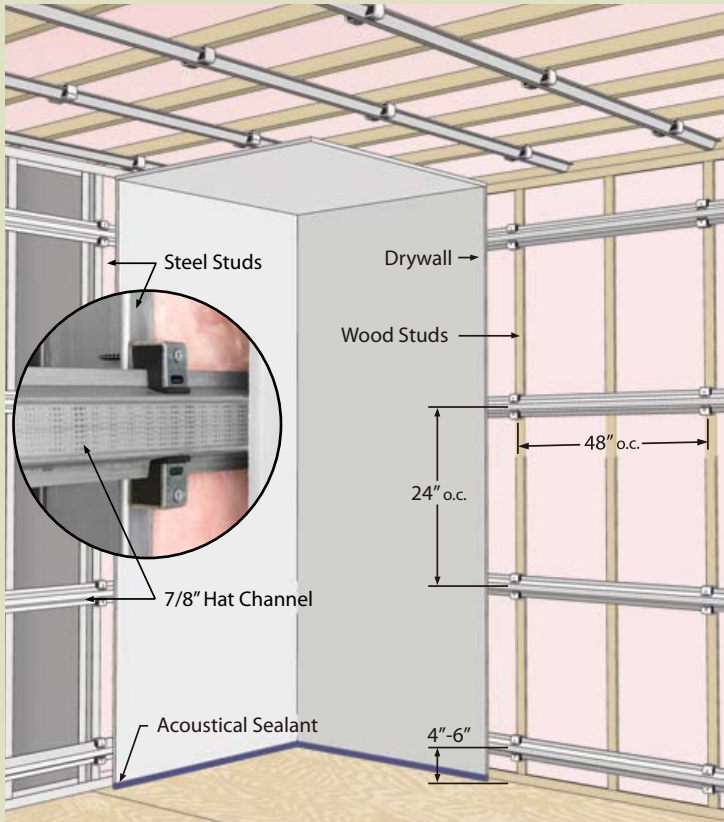
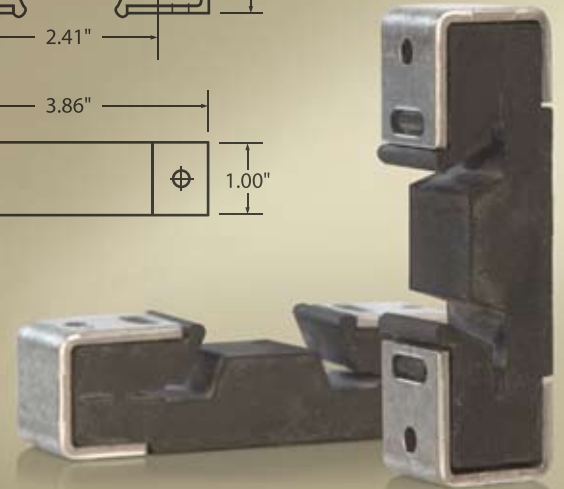
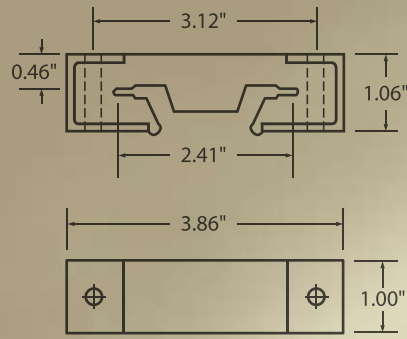


RESILIENT SOUND ISOLATION CLIPS

Soundproof Walls and Ceilings

SOUND ISOLATION CLIPS ALLOW YOU TO “FLOAT” WALLS AND CEILINGS AT THE LOWEST POSSIBLE COST

STC AND IIC RATINGS DON'T TELL THE WHOLE STORY; DECOUPLING IS THE SINGLE MOST IMPORTANT FACTOR



Sound Isolation Clips are the easy and economical way to decouple your wall and ceiling to increase performance without the cost of staggered or double stud wall construction. Benefits include higher STC and IIC results at a lower installed cost and elimination of short circuit risk.

Sound Isolation Clips dramatically improve the privacy and soundproofing of any partition.

Privacy between spaces has become the #1 customer requirement in multi-family, commercial mixed use, and even luxury home projects. People now expect peace and quiet in the home and workplace.

Average performance will not be acceptable in most cases; minimal construction is a thing of the past. Sound Isolation Company has the right products and the expertise to make the creation of privacy a simple, reliable practice with no guesswork.

Soundproofing a ceiling or wall has never been so cost efficient or simple. You won't need any exotic sheetrock or tools. Installation is no different than what is being done already; the real difference is that this method provides a true quiet solution.

How & Why Sound Isolation Clips Work

Sound Isolation Clips break the mechanical connection. Sheetrock is attached to the channel, not the structure; measurable low frequency noise blocking requires this “float”. A one-inch larger airspace, filled with standard fiberglass insulation adds to the STC performance at all frequencies. Sound isolation clips are attached with drywall screws. Locally available 7/8” hat channel, off-the-shelf sheetrock, mud and tape are the only materials you need to complete the job.

SOUND [ISOLATION] COMPANY

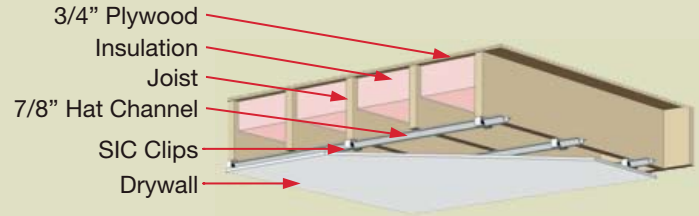
2900 WESTINGHOUSE BLVD. SUITE 106
 CHARLOTTE, NC 28273
 704 / 504 / 1127 PH
 704 / 504 / 1115 FX
 888 / 666 / 5090 TOLL FREE
 WWW.SOUNDISOLATIONCOMPANY.COM

Call now to soundproof your walls/ceiling. (888) 666-5090

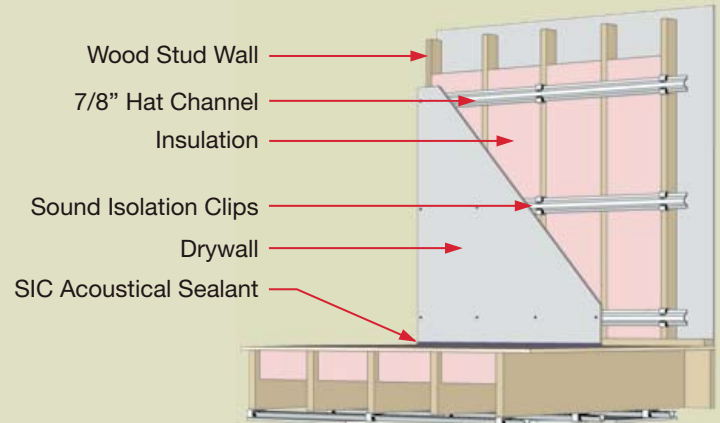
www.soundisolationcompany.com



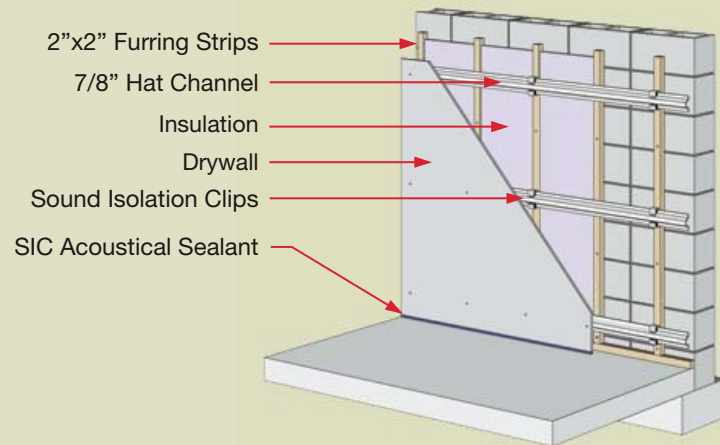
Floated Ceiling Assembly



Multi-Family, Commercial and Residential Floor/Wall Assembly



Masonry Walls Assembly



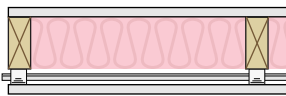
Sound Isolation Clips are the best value for proven, reliable soundproofing results in any wall or ceiling application. Call us today for a quote on your job (888) 666-5090

Benefits of Sound Isolation Clips

- ▶ Used with everyday building products, which are available locally at your home center.
- ▶ Better performance and lower installed cost than any other soundproofing product.
- ▶ No need for double stud, staggered stud, or double wall assemblies.
- ▶ No chance of short circuits that are commonly found in resilient channel installations.
- ▶ Available for immediate shipment to your jobsite.

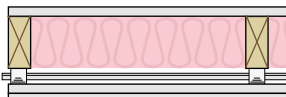
Lab Tested Assemblies:

Wall Assembly 1 - STC: 57



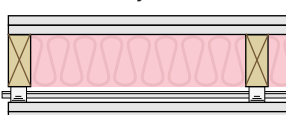
Wood stud partition, 2x4 16" O.C., R-19 insulation, and one layer of 5/8" gypsum on each side. Add Sound Isolation Clips (SIC Clips) and 7/8" hat channel on one side only.

Wall Assembly 2 - STC: 61



Adding one more layer of drywall on the Sound Isolation Clips side improves your sound isolation performance by 50%.

Wall Assembly 3 - STC: 64



One additional layer of 5/8" sheetrock, opposite SIC Clips side, outperforms double wall construction.